

**SL-PP55W2K60**

2-way switch for 55 mm frame

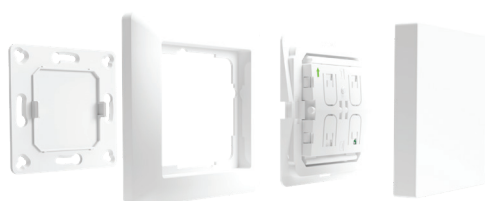
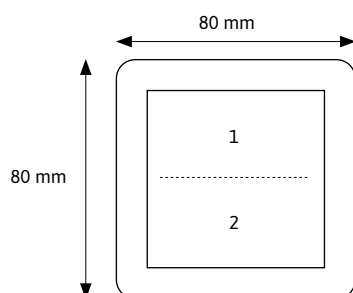
**SWITCH CONSTRUCTION** 1 Base

plate	
2	Cover frame
3	Radio module
4	Rocker (2-way)

**PRODUCT FEATURES**

- ▶ 2-way switch for controlling SIRO PUSHPOWER receivers
- ▶ Also suitable for many 55 mm switch frame systems.
- ▶ No battery and no wiring necessary!
- ▶ Battery-free device without external power supply.
- ▶ Transmission energy is generated from mechanical energy when the rocker is actuated.
- ▶ Radio-based range up to 80 meters.
- ▶ 1 button can be connected to any number of Push Power Receivers.
- ▶ A changeover switch function is provided when several switches are used.
- ▶ Two independent MONO areas or one DUO area can be controlled.
- ▶ Available in white (K60) and black (K1) versions
- ▶ Frame and base plate included in the scope of delivery.

**ASSEMBLY**

- ▶ On appliance box according to DIN 49073 or on smooth, flat surfaces by screwing or gluing.
- ▶ 1. The substrate is clean, grease-free and stable.
- ▶ 2. Press the base plate (1) onto the adhesive points or fix it with screws.
- ▶ 3. Place the cover frame (2) on the base plate.
- ▶ 4. Attach the radio module (3).
- ▶ 5. Attach the rocker (4).

**DIMENSIONS**

- ▶ Switch incl. frame (LxWxH): 80 x 80 x 17 mm
- ▶ Switch without frame (LxWxH): 55 x 55 x 17 mm

**TECHNICAL FEATURES**

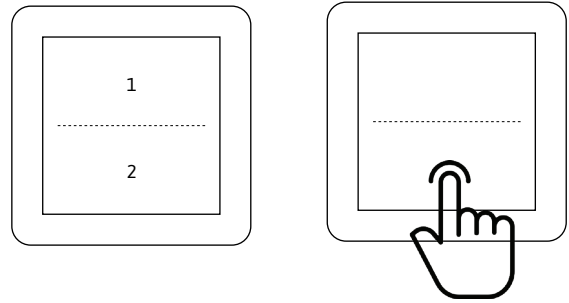
- ▶ Transfer protocol: RF 433 mhz
- ▶ Range (without mesh): 30 meters (indoors)
- ▶ IP Rating: IP20

**SAFETY AND INSTALLATION INSTRUCTIONS**

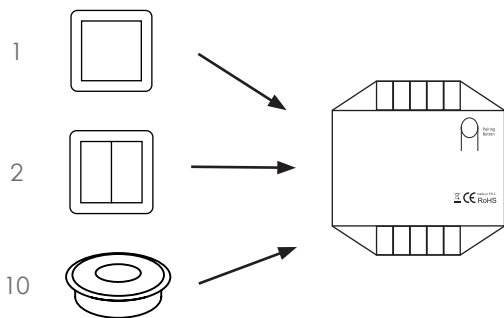
- ▶ This product is not a toy and is not suitable for children!
- ▶ The installation must be carried out without tension!
- ▶ The SIRO LED system is only suitable for indoor use. Unprotected outdoor use is not permitted. Contact with moisture must be avoided at all costs!

## GENERAL FUNCTIONS

1, 2	2-way buttons
Single click:	Switching on or off
Click and hold:	Dimming 0 - 100%
Click and hold when switched off:	Night mode (5% brightness)

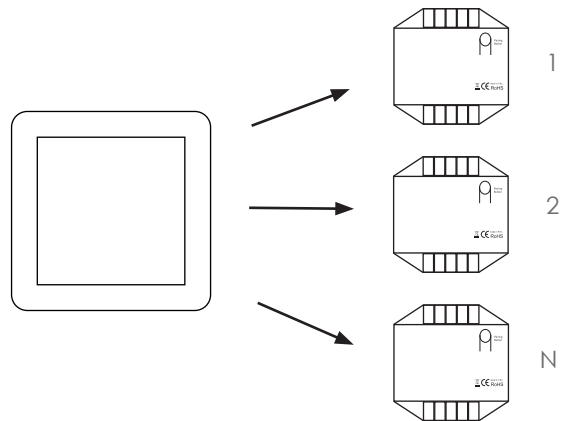


## POSSIBLE COMBINATIONS



### More controls on one receiver

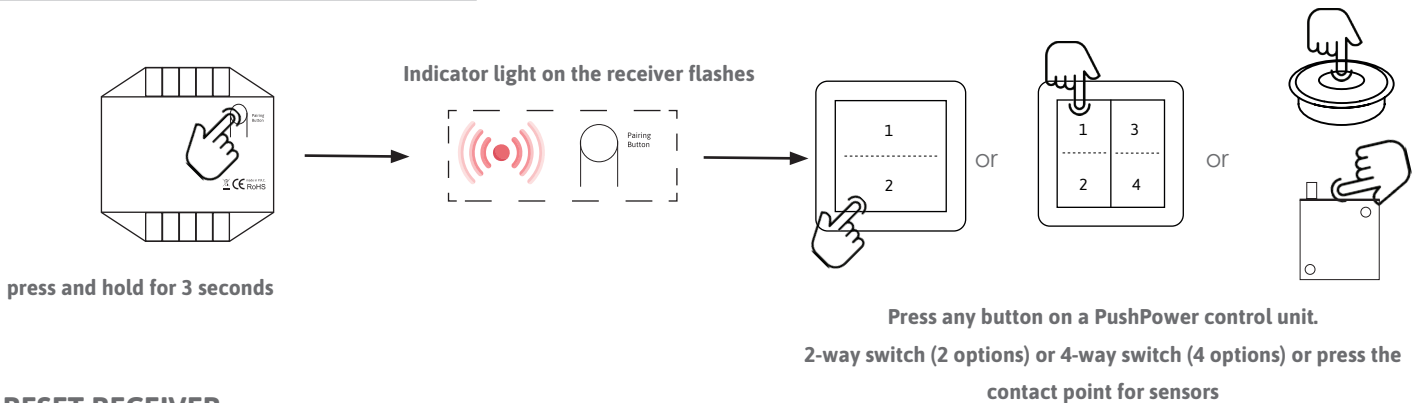
a maximum of 10 PushPower control units (sensors, push buttons, etc.) can be connected to one receiver.



### One control on several receivers

1 PushPower control unit can control any number of receivers.

## CONNECTING THE CONTROL UNIT & RECEIVER



## RESET RECEIVER

