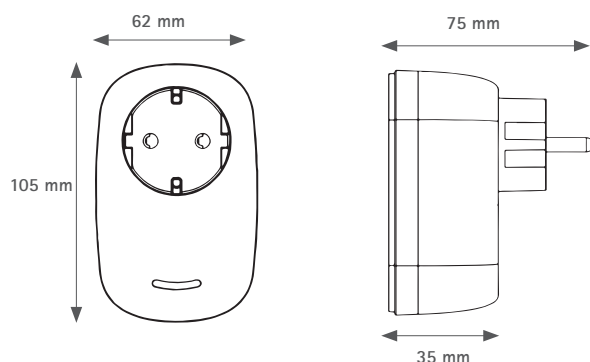


SL-PPREC01AC-K60

230V AC SWITCH ADAPTER

**TECHNICAL DRAWING****PRODUCT FEATURES**

- ▶ 230V AC MONO ON - OFF receiver as receiver for push power switch
- ▶ Connection of 230V AC products with a maximum output of 3680 watts (~220V AC)
- ▶ Up to 10 switch buttons (2-way or 4-way switches) or switch components can be connected.
- ▶ Radio-based range up to 80 meters.
- ▶ Functions: ON - OFF
- ▶ Repeater Mesh function to activate & deactivate

ASSEMBLY

- ▶ Adapter is plugged in between 230V AC power connections.

DIMENSIONS

- ▶ Housing dimensions (LxDxH): 105 x 62 x 75 mm

TECHNICAL FEATURES

- ▶ Transfer protocol: RF 433 mhz
- ▶ Range (without mesh): 30 meters (indoors)
- ▶ IP Rating: IP20
- ▶ Input voltage: 220 - 240 AC 50/60Hz
- ▶ Output power: 1 channel / 16 A
3680 Watt (~ 220V AC)
1500 Watt (~ 220V AC LED)
- ▶ Standby Power: <0.3 Watt
- ▶ Receiver Sensitivity: -110dBm
- ▶ Operating temperature: -20°C to +55°C

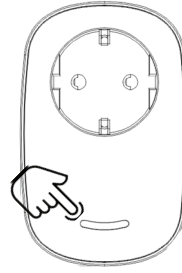
SAFETY AND INSTALLATION INSTRUCTIONS

- ▶ **Attention, this product is operated with 230V AC voltage!**
- ▶ Installation may only be carried out by qualified electricians.
- ▶ This product is not a toy and is not suitable for children!
- ▶ The SIRO LED system is only suitable for indoor use.
- ▶ Unprotected outdoor use is not permitted.
- ▶ Contact with moisture must be avoided at all costs!

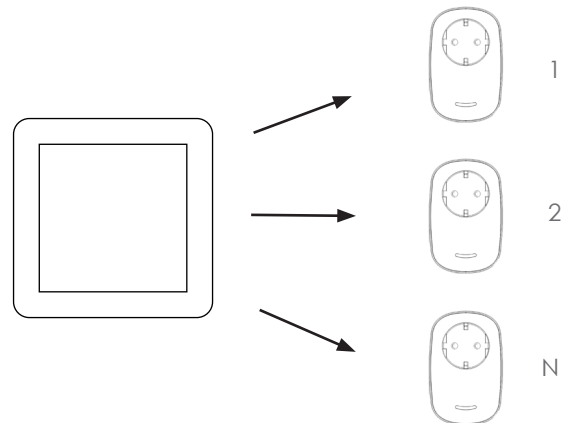
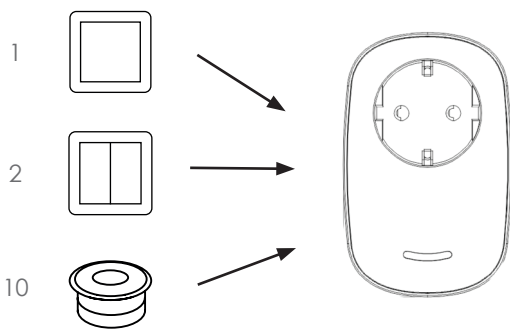
GENERAL FUNCTIONS

Single click on indicator light:

Switching on or off



POSSIBLE COMBINATIONS



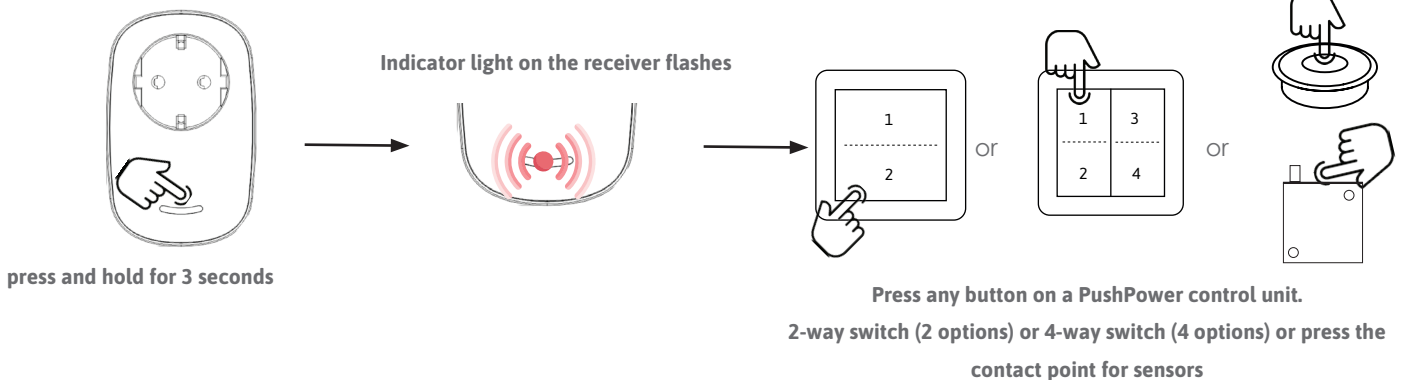
More controls on one receiver

a maximum of 10 PushPower control units (sensors, push buttons, etc.) can be connected to one receiver.

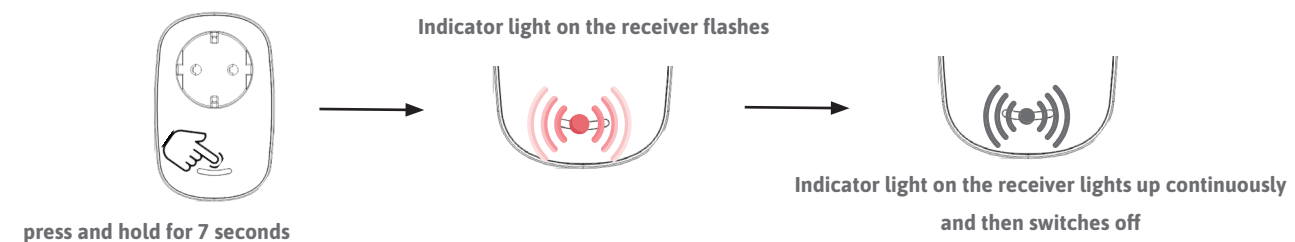
One control on several receivers

1 PushPower control unit can control any number of receivers to control.

CONNECTING THE CONTROL UNIT & RECEIVER



RESET RECEIVER



RoHS 

Must not be disposed of with household waste.
Must not be disposed of in household waste.

SIRO fittings and metal goods factory
Spiefeldstrasse 12
4452 Ternberg, Austria

Tel . +43 (0)7256.6020.0
Fax . +43 (0)7256.8932
E-mail office@siro.at
Web . www.siro.at

© 2023 All rights reserved. All rights reserved