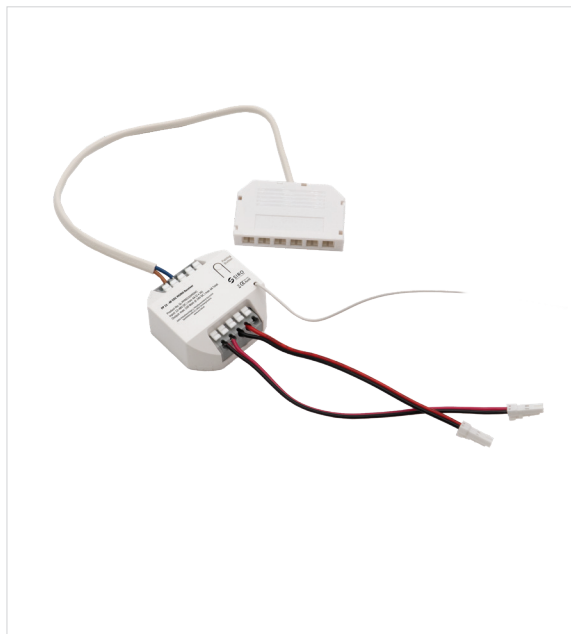
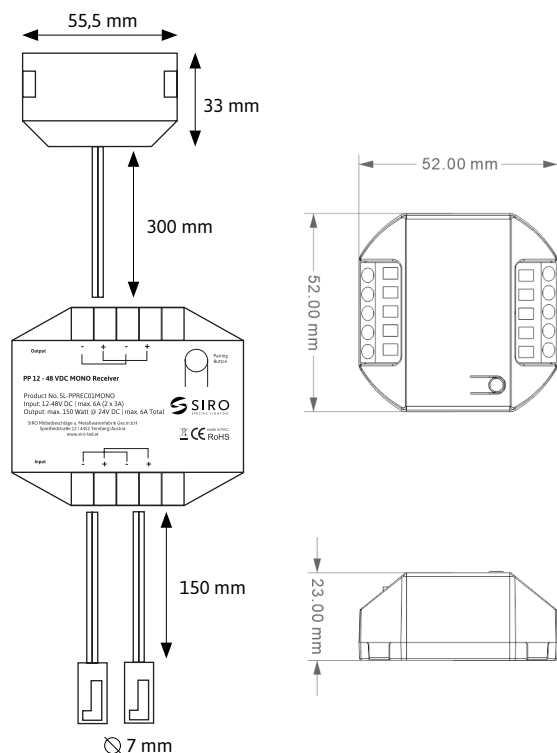


SL-PPREC01MONO

12 - 48V DC MONO Receiver



TECHNICAL DRAWING



PRODUCT FEATURES

- ▶ 12 - 48V DC MONO receiver as receiver for push power switch
- ▶ Ready to plug in for connecting SIRO MONO LED lights
- ▶ Up to 10 switch buttons (2-way or 4-way switches) or switch components can be connected.
- ▶ Radio-based range up to 80 meters.
- ▶ Functions: ON - OFF - DIMMING
- ▶ Product has a memory function (last light setting)
- ▶ Repeater Mesh function to activate & deactivate

ASSEMBLY

- ▶ The product can be stuck on or placed individually

DIMENSIONS

- ▶ Housing dimensions (LxDxH): 52 x 52 x 23 mm
- ▶ Distributor box dimensions (LxWxH): 55,5 x 33 x 10 mm

TECHNICAL FEATURES

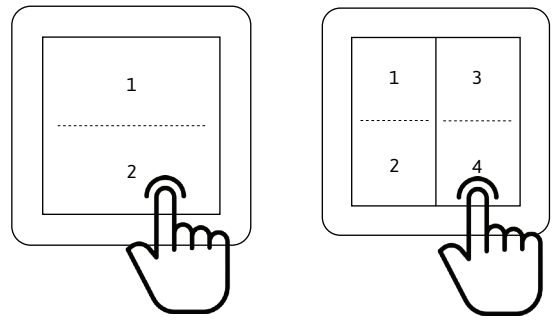
- ▶ Transfer protocol: RF 433 mhz
- ▶ Range (without mesh): 30 meters (indoors)
- ▶ IP Rating: IP20
- ▶ Entrance: 12 - 24 - 48V DC
2 x 150 mm connection cable (AWG 20) with MONO plug
1 Connector max. 3A = max 72 Watt @24V DC
- ▶ Output power: 144 Watt @ 24V DC
1 x 150 mm connection cable with 6-way distribution
3A per connection = 72 Watt @ 24V DC
6A total = 144 Watt @ 24V DC
- ▶ Standby Power: ≤ 1W
- ▶ Receiver Sensitivity: -110dBm
- ▶ Dimming method: PWM 1000 Hz
- ▶ Operating temperature: 0°C to 55°C
- ▶ Connecting socket: 2.6 x 2 mm rigid cable / solid conductor or stranded cable

SAFETY AND INSTALLATION INSTRUCTIONS

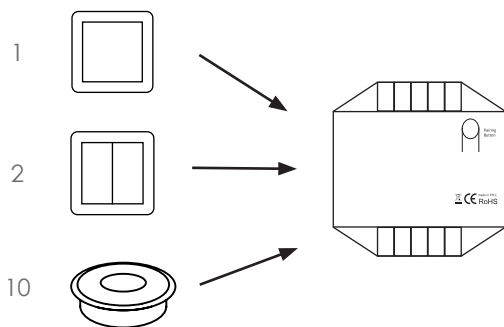
- ▶ This product is not a toy and is not suitable for children!
- ▶ The SIRO LED system is only suitable for indoor use. Unprotected outdoor use is not permitted. Contact with moisture must be avoided at all costs!

GENERAL FUNCTIONS

1, 2, 3, 4	2 or 4-way buttons
Single click:	Switching on or off
Click and hold:	Dimming 0 - 100%
Click and hold when switched off:	Night mode (5% brightness)
Single click with door sensor	Switching on or off

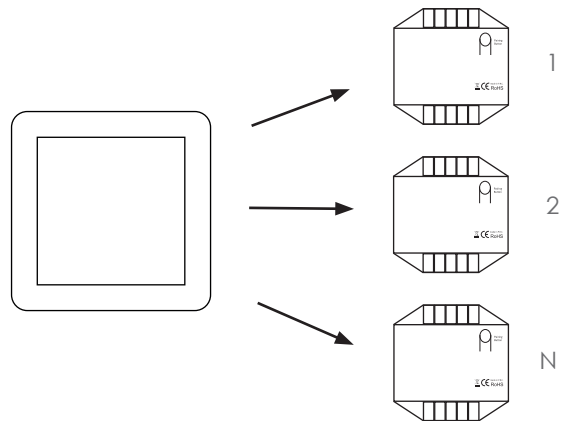


POSSIBLE COMBINATIONS



More controls on one receiver

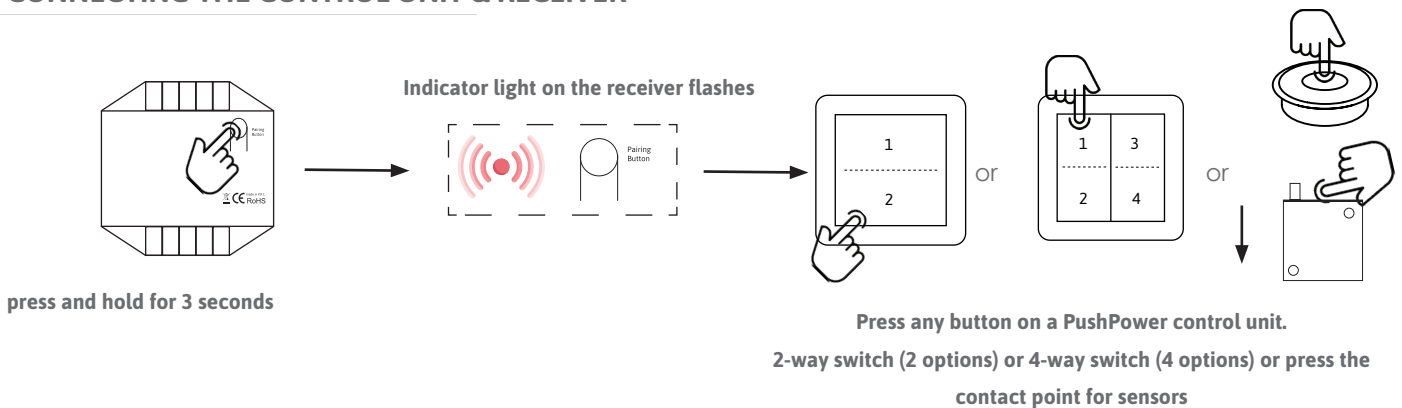
a maximum of 10 PushPower control units (sensors, push buttons, etc.) can be connected to one receiver.



One control on several receivers

1 PushPower control unit can control any number of receivers to control.

CONNECTING THE CONTROL UNIT & RECEIVER



RESET RECEIVER

